



# PULLEY BLOCK 1000KG & 2000KG CAPACITY

MODEL NO: **PB1000.V2 / PB2000.V2**

Thank you for purchasing a Sealey product. Manufactured to a high standard, this product will, if used according to these instructions, and properly maintained, give you years of trouble free performance.

**IMPORTANT:** PLEASE READ THESE INSTRUCTIONS CAREFULLY. NOTE THE SAFE OPERATIONAL REQUIREMENTS, WARNINGS & CAUTIONS. USE THE PRODUCT CORRECTLY AND WITH CARE FOR THE PURPOSE FOR WHICH IT IS INTENDED. FAILURE TO DO SO MAY CAUSE DAMAGE AND/OR PERSONAL INJURY AND WILL INVALIDATE THE WARRANTY. KEEP THESE INSTRUCTIONS SAFE FOR FUTURE USE.



Refer to instructions



Wear protective gloves



Wear safety footwear

## 1. SAFETY

- ✓ Ensure that the pulley block is in sound condition and good working order. Take action for immediate repair or replacement of damaged parts.
- ✓ Use recommended parts only. The use of unauthorised parts may be dangerous and will invalidate the warranty.
- ✓ Ensure the support for the pulley block is capable of withstanding a load of at least 1½ times the safe working load of the block.
- ✓ Keep the pulley block clean for the best and safest performance.
- ✓ Locate the pulley block in a suitable, well-lit area.
- ✓ Keep work area clean and tidy and free from unrelated materials.
- ✓ Ensure all non-essential persons keep a safe distance whilst the pulley block is in use.
- ✓ Ensure load slings are fully engaged in the load hook and that the hook safety bar is in the closed position.
- ✓ Raise and lower a load on the pulley in a smooth, controlled manner. **DO NOT** shock load the pulley block by allowing the attached load to fall freely, even for very short distances.
- ▲ **DANGER:** Use the pulley block for lifting only, **NOT** for suspending the lifted load.
- ✓ Use a qualified person to lubricate and maintain the pulley block.
- ✗ **DO NOT** operate the pulley block if it is damaged.
- ✗ **DO NOT** allow untrained persons to operate the pulley block.
- ✗ **DO NOT** exceed the rated capacity (working load) of the pulley block. (See Section 5).
- ✗ **DO NOT** raise or lower the load with jerky or abrupt movements of the rope.
- ✗ **DO NOT** attempt to lift a load if the load rope is kinked or knotted.
- ✗ **DO NOT** try to raise a load with two, or more, pulley blocks - use a single block of adequate capacity.
- ✗ **DO NOT** use the pulley block to drag the load across the floor. Always position the load directly below the block.
- ✗ **DO NOT** wrap the load rope around the load - always use separate, suitable, ropes or slings of the correct capacity.
- ✗ **DO NOT** allow anyone to stand, or pass beneath, the raised load.
- ✗ **DO NOT** use the pulley block for purposes other than that for which it is intended.
- ✓ Store the pulley block in a dry, childproof area when not in use. **IMPORTANT:** Use only with wire rope of the specified diameter.
- ✗ **DO NOT** attempt to free a jammed rope or pulley while a load is attached. Use alternative means to support the load and unhook the rope from the load before rectifying the jam. **BEWARE!** Broken rope strands or unfinished rope ends present risk of personal injury, i.e. a puncture wound.

## 2. INTRODUCTION

Ideal for moving heavy objects. The wire rope (not included) is easily fitted via a hinged section of the side plate. Pulley sheave runs on maintenance-free bushes. Suitable for industrial and automotive applications.

## 3. SPECIFICATION

Model No: ..... **PB1000.V2** ..... **PB2000.V2**  
 Test Load: ..... 1500kg. .... 3000kg  
 Wire Rope Thickness: ..... 7mm. .... 13mm  
 Working Capacity: ..... 1000kg. .... 2000kg  
 Nett Weight: ..... 3.3kg. .... 7.6kg

## 4. OPERATION

**IMPORTANT:** Before using the pulley block ensure that you have read, understood and applied the safety instructions in Section 1.  
**NOTE:** This pulley block will normally be used in conjunction with a mechanical pulling device and should never be operated by hand. Wear safety gloves and keep hands away from moving pulley wheels.

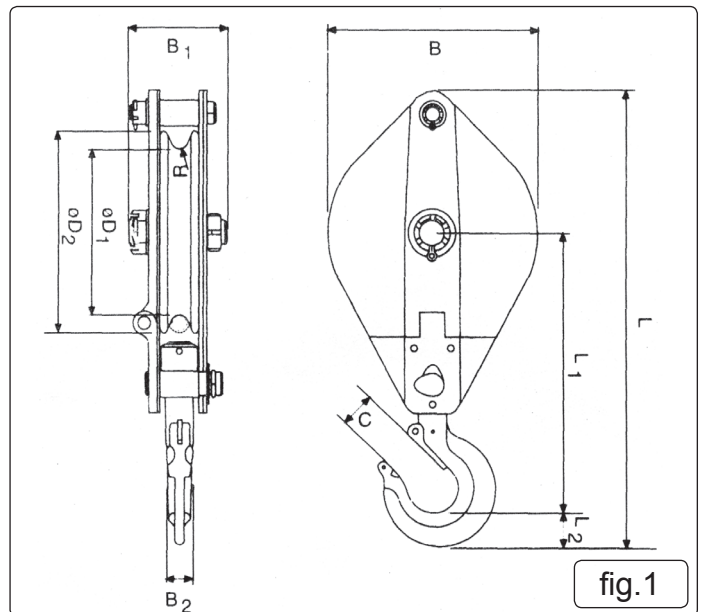
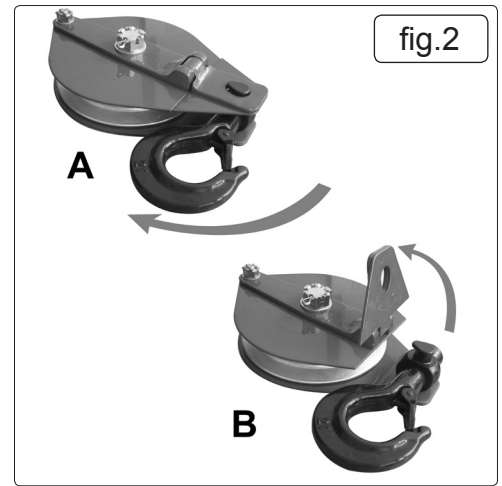


fig.1

\* Ambient operating temperature range: -10°C to +50°C.

Working load kg	Rope Ø mm	Net weight kg	B	B1	B2	C	D1 Ø	D2 Ø	L	L1	L2	R
1000	Ø7	3.3	118	76	17	23	85	105	305	200	23	4
2000	Ø13	8.9	199	92	24	27	150	190	425	263	30	7

- 4.1. Rotate the hook through 90° as shown in (fig.2A) to release the hinge plate. Move the hinge plate upwards as shown in (fig.2B) and place the rope into the pulley groove. Close the hinge plate and rotate the hook through 90° to lock it. **DO NOT** attempt to use the pulley block with the hinge plate open.
- 4.2. If using the pulley block for simple lifting as shown in (fig.3A) ensure that it is suspended from a structure capable of supporting at least 1½ times the safe working load of the block.
- 4.3. Ensure that the block hook is fully engaged with the safety bar closed. Confirm that the total load does not exceed the working load of the block. See Table.
- 4.4. Ensure that the lifting rope is securely and safely attached to the load and that the load is directly below the block.
- 4.5. Take up the tension in the rope until the load rope is taut and not pulling at an angle.
- 4.6. Start to raise the load and ensure that it is level, with no possibility of the load tilting and/or slipping from its restraints. If necessary, lower the load and re-adjust the attachment point to obtain a safe, level lift.  
**NOTE: DO NOT suddenly release the pulley rope, as the pulley has no braking system attached to it.**
- 4.7. Continue to raise the load to the required height in a slow, controlled manner.  
\* **DO NOT** raise the load so far that the hook comes into contact with the block.
- 4.8. Lower the load slowly and smoothly, avoiding jerky or abrupt movements.
- 4.9. If, at any time, the rope will not move in either direction do not attempt to force it but, after arranging safe support for any suspended load, have the block inspected by an Authorised Service Agent.



Pulley	Rope SWL(A)	Block SWL(B)
PB1000	500 kg	1000 kg
PB2000	1000 kg	2000 kg

## 5. SAFE WORKING LOADS

**IMPORTANT:** When used as a simple lifting pulley, see (fig.3), the maximum load is limited to the safe working load (SWL) specified for the rope.  
WHEN USED AS PART OF A TWO-PULLEY SYSTEM, SEE (B) BELOW, THE MAXIMUM LOAD IS LIMITED TO THE SAFE WORKING LOAD (SWL) SPECIFIED FOR THE BLOCK.

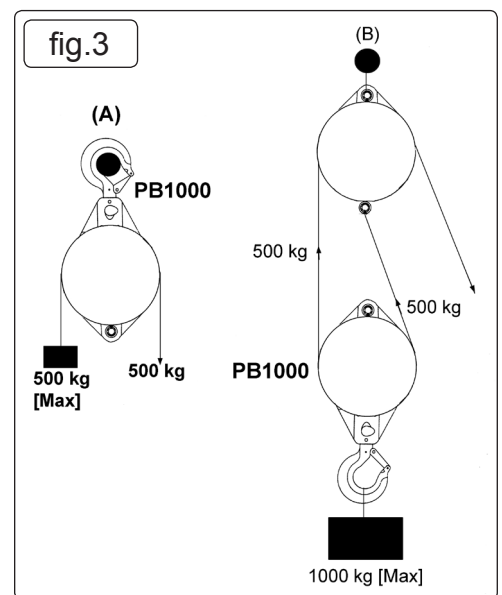
**IMPORTANT:** This pulley cannot be used as the upper pulley in a two-pulley system.

- 5.1. Applications, based on PB1000, are shown in (fig.3).

## 6. MAINTENANCE

**NOTE:** Only fully qualified personnel should attempt to carry out maintenance, or repair, on the pulley block.

- 6.1. Keep the pulley block clean and regularly lubricate the hook shank.
- 6.2. Carry out a visual inspection every time the pulley block is used and listen for any unusual sounds during operation.
  - **WARNING! The pulley block should be disassembled, cleaned, inspected, reassembled and tested by an Authorised Service Agent annually, or more frequently if used outside, exposed to the weather.**
- 6.3. Depending upon the frequency of use and local conditions, the load rope will eventually show signs of wear. When it does, it should be replaced immediately.
- 6.4. Overloading, or incorrect hooking, may distort the hook and increase the hook opening. If this occurs replace the hook immediately.
- 6.5. Inspect the hook for flaws, cracks, distortion, wear and freedom of rotation.
- 6.6. Regularly inspect the pulley wheel for wear.



Parts support is available for this product. Please log on to [www.sealey.co.uk](http://www.sealey.co.uk), email [sales@sealey.co.uk](mailto:sales@sealey.co.uk) or telephone 01284 757500



### ENVIRONMENT PROTECTION

Recycle unwanted materials instead of disposing of them as waste. All tools, accessories and packaging should be sorted, taken to a recycling centre and disposed of in a manner which is compatible with the environment. When the product becomes completely unserviceable and requires disposal, drain any fluids (if applicable) into approved containers and dispose of the product and fluids according to local regulations.

**Note:** It is our policy to continually improve products and as such we reserve the right to alter data, specifications and component parts without prior notice.

**Important:** No Liability is accepted for incorrect use of this product.

**Warranty:** Guarantee is 12 months from purchase date, proof of which is required for any claim.

Sealey Group, Kempson Way, Suffolk Business Park, Bury St Edmunds, Suffolk. IP32 7AR



01284 757500



01284 703534



[sales@sealey.co.uk](mailto:sales@sealey.co.uk)



[www.sealey.co.uk](http://www.sealey.co.uk)